

ABB IEC 60 309 International Pin and Sleeve

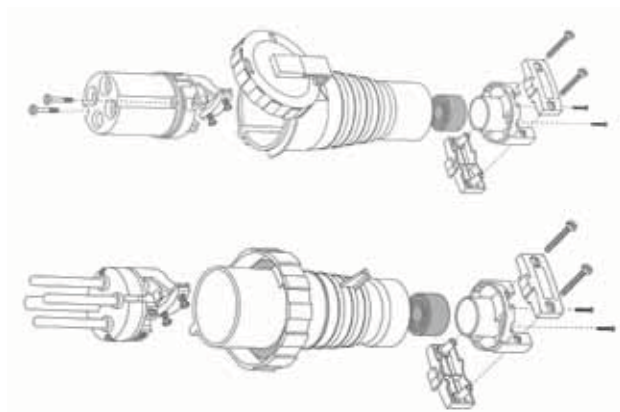
Technical Data IP67 Products

Tightening Guide

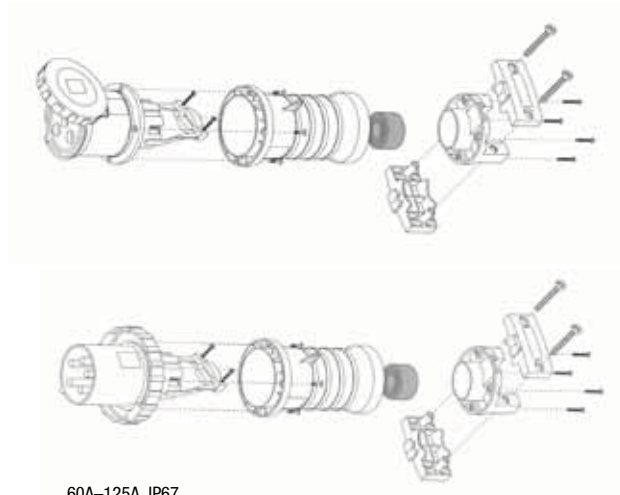
DEVICE	TERMINAL SCREWS (IN. LBS./NM)	INTERNAL CABLE CLAMP SCREWS (IN. LBS./NM)	EXTERNAL CABLE CLAMP SCREWS (IN. LBS./NM)	ASSEMBLY SCREWS (IN. LBS./NM)
16A-20A	7.1/0.8	10.6/1.2	17.7/2.0	10.6/1.2
30A-32A	10.6/1.2	10.6/1.2	17.7/2.0	10.6/1.2
60A-63A	31/3.5	10.6/1.5	26.6/3.0	10.6/1.2
100A-125A	50/5.6	17.7/2.0	26.6/3.0	17.7/2.0

Wire Sizes

DEVICE	CABLE DIMENSION RANGE (IN./MM)
16A-20A, 2P3W	0.350-0.860/9-22
16A-20A, 3P4W	0.350-0.86/9-22
16A-20A, 4P5W	0.437-1.187/11-30
30A-32A, 2P3W	0.437-1.187/11-30
30A-32A, 3P4W	0.437-1.187/11-30
30A-32A, 4P5W	0.437-1.450/11-37
60A-63A, 2P3W	0.670-1.625/17-41
60A-63A, 3P4W	0.670-1.625/17-41
60A-63A, 4P5W	0.670-1.625/17-41
100A-125A, 2P3W	0.950-1.875/24-48
100A-125A, 3P4W	0.950-1.875/24-48
100A-125A, 4P5W	0.950-1.875/24-48



16A-32A, IP67



60A-125A, IP67

Russellstoll® Pin and Sleeve Power Connectors